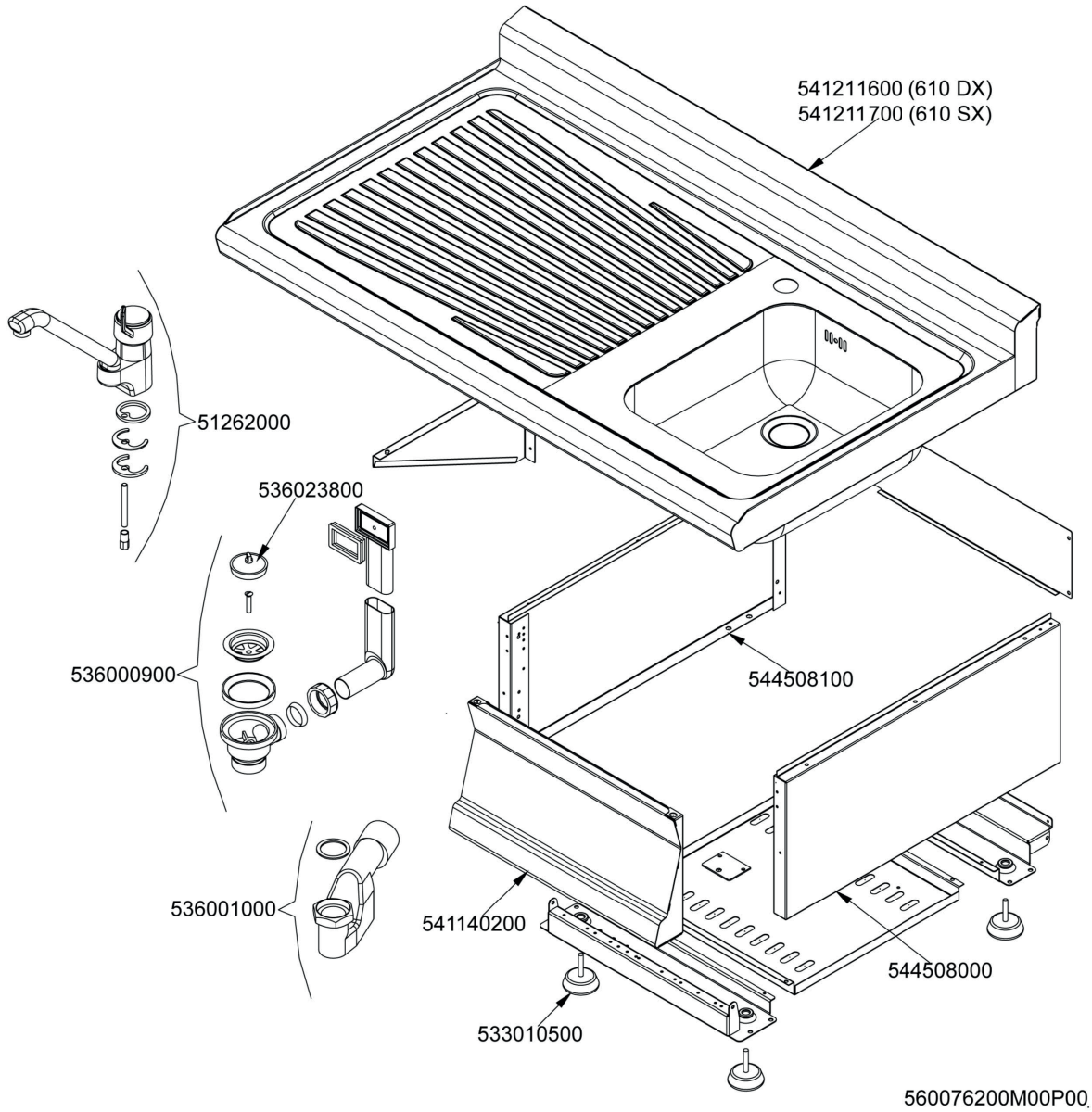




RM 600
Platný od 1.5. 2019
LAT-610SX





Objednáací kód	Popis v ENG
541211700	UPPER PLATE FOR LAT-610SX
51262000	GL LEVER TAP FOR SINK
536023800	DRAIN CAP 1"1/2
536000900	UPPER DRAIN FOR SINK
544508100	LHD SIDE OF 60T APPLIANCES
544508000	RHD SIDE OF 60T APPLIANCES
533010500	LEG M10*25 D.40
541140200	CONTROL PANEL S70/90 LA-74 LAT-74
536001000	DRAIN FOR SINK



LAT - 610 DX, LAT - 610 SX
Platný od 1.5.2016
do 30.4.2019

